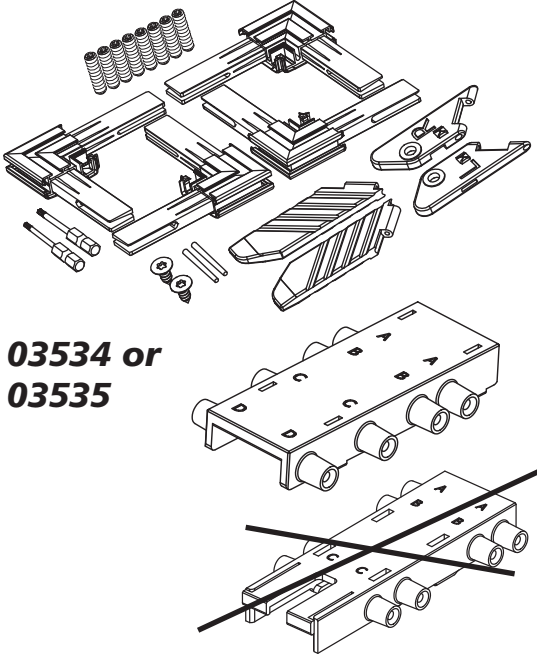
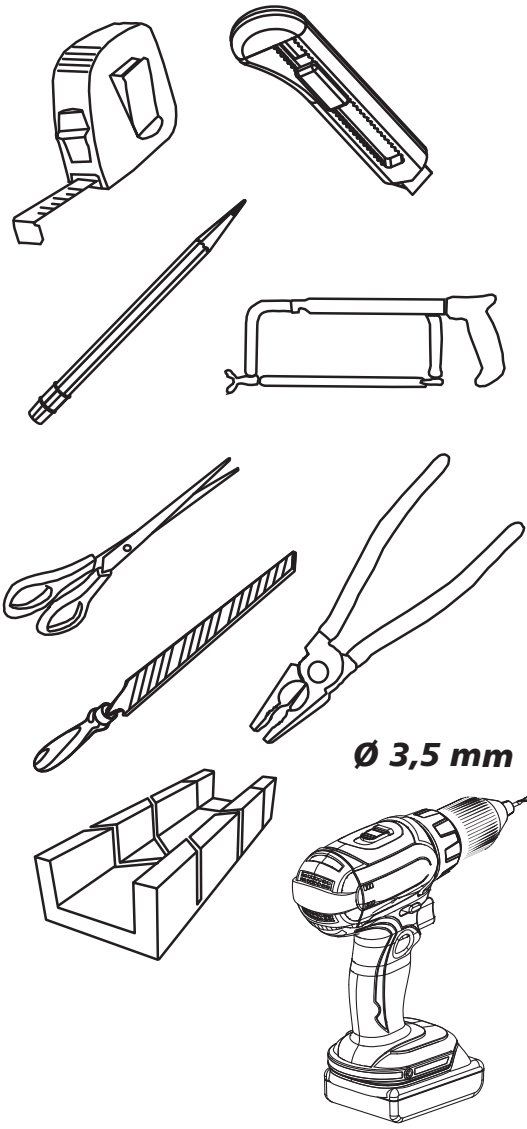


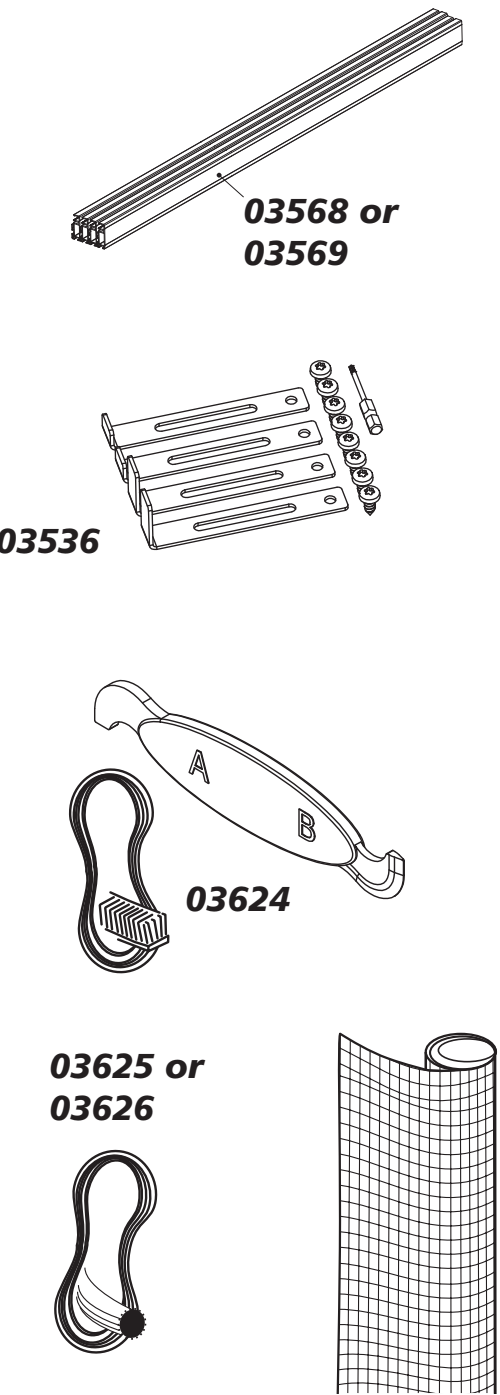
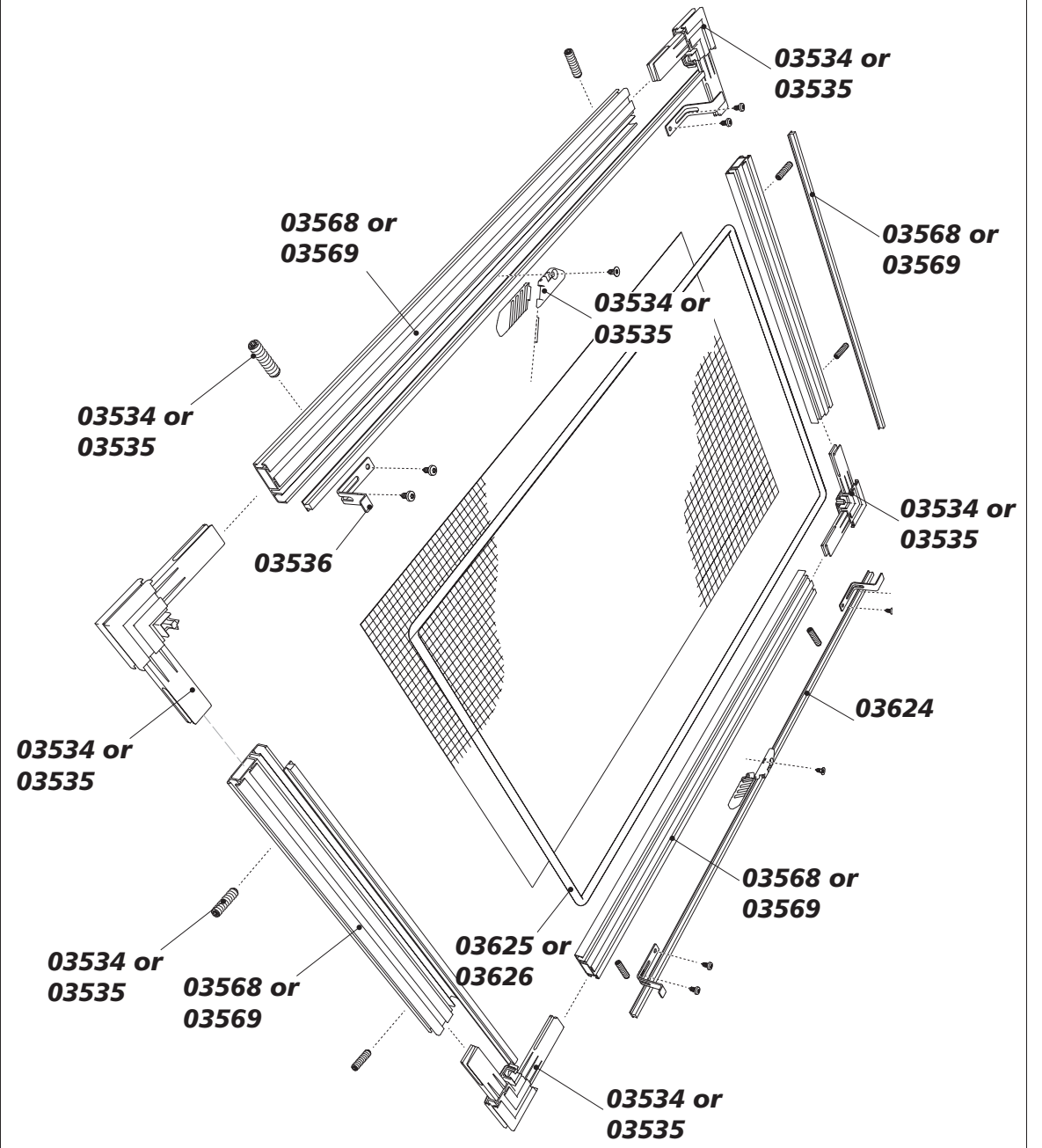
QA324



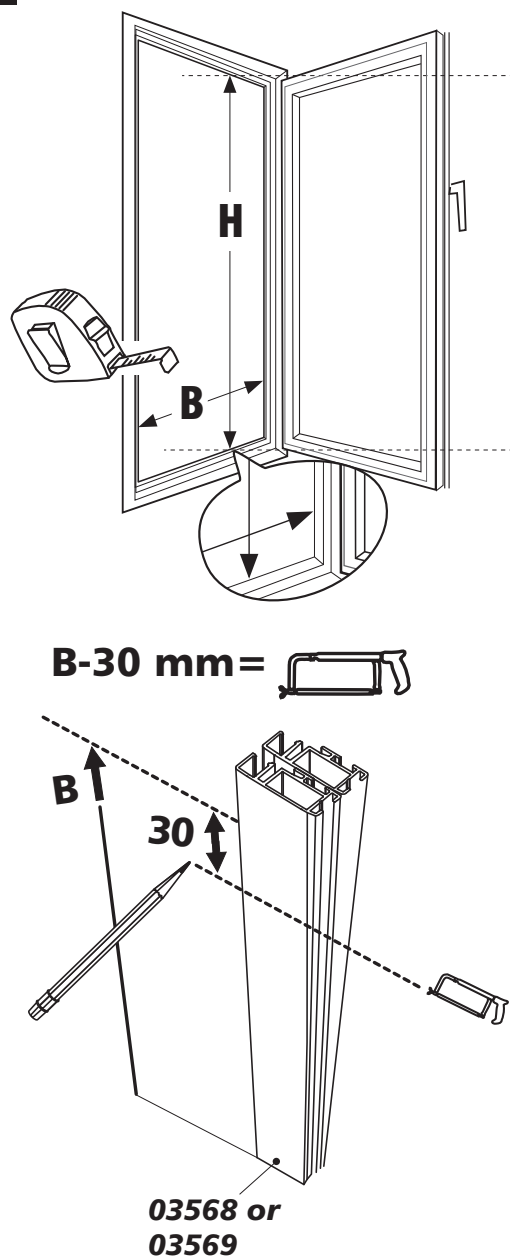
03534 or 03535



Ø 3,5 mm



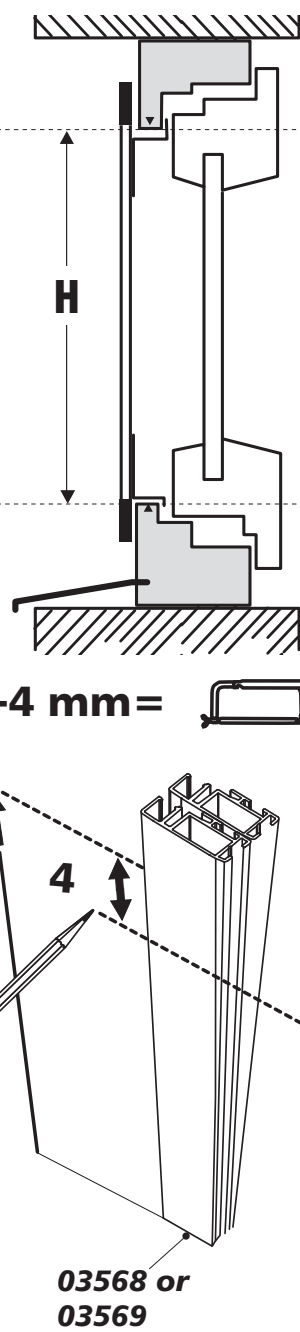
1



B-30 mm =

03568 or 03569

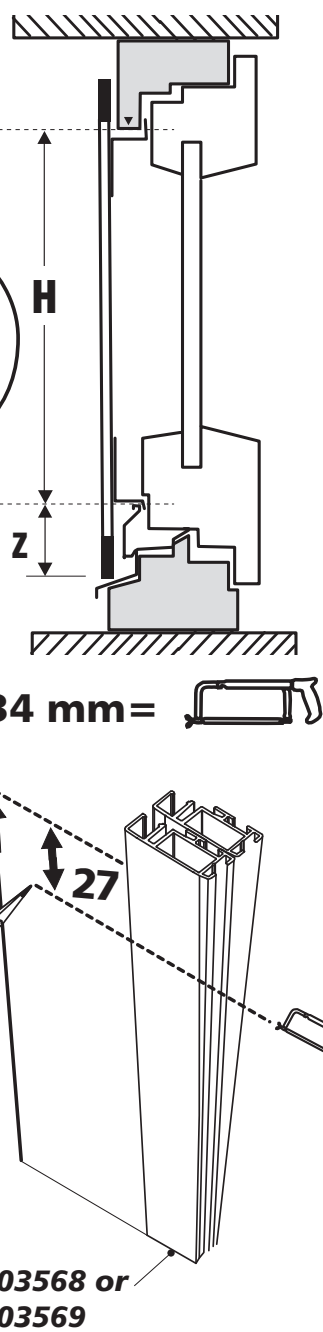
2A



H-4 mm =

03568 or 03569

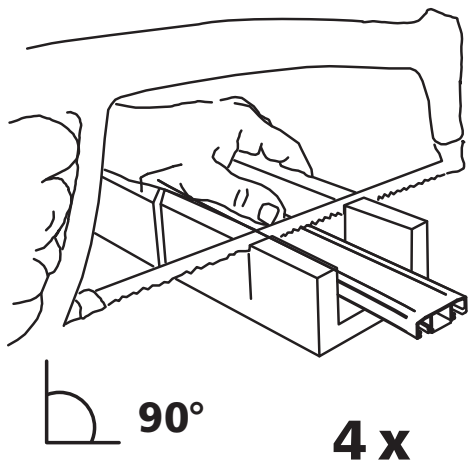
2B



H+z-34 mm =

03568 or 03569

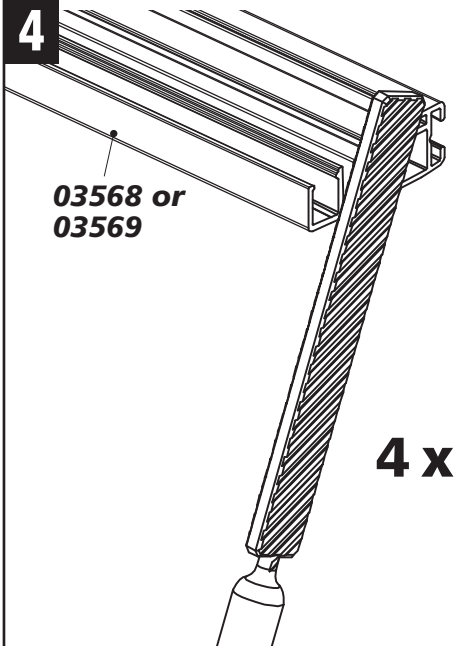
3



90°

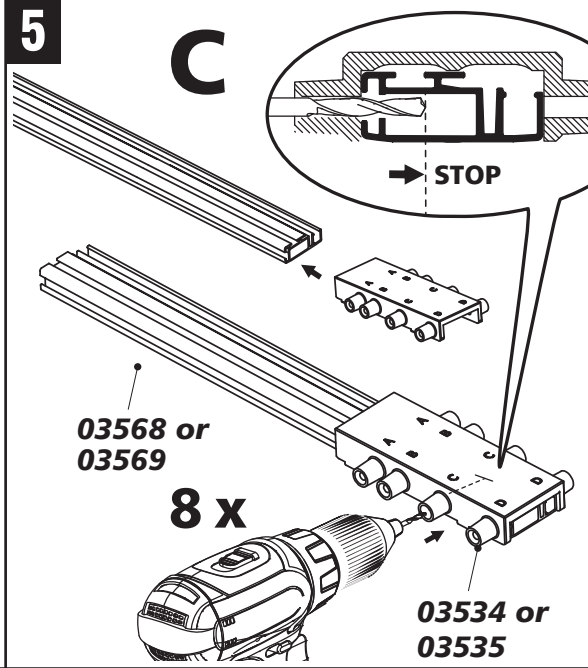
4 x

4



4 x

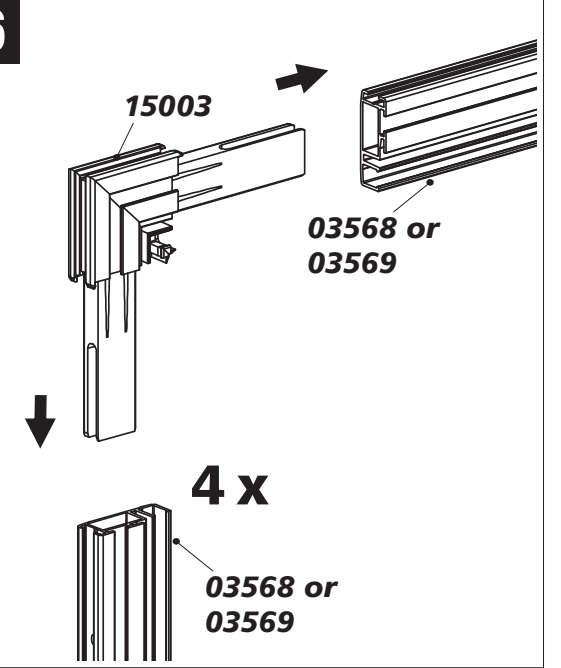
5



8 x

03534 or 03535

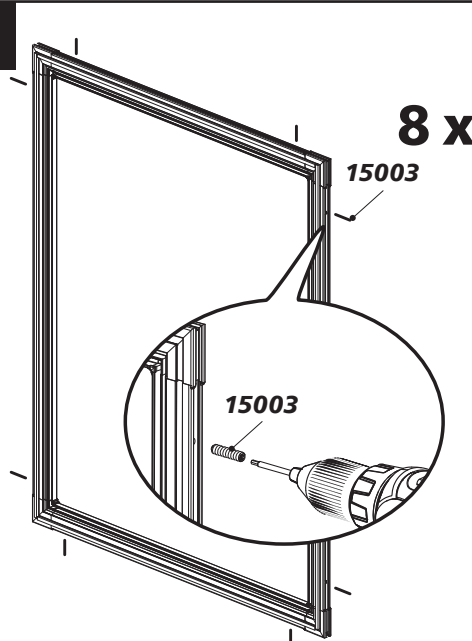
6



4 x

03568 or 03569

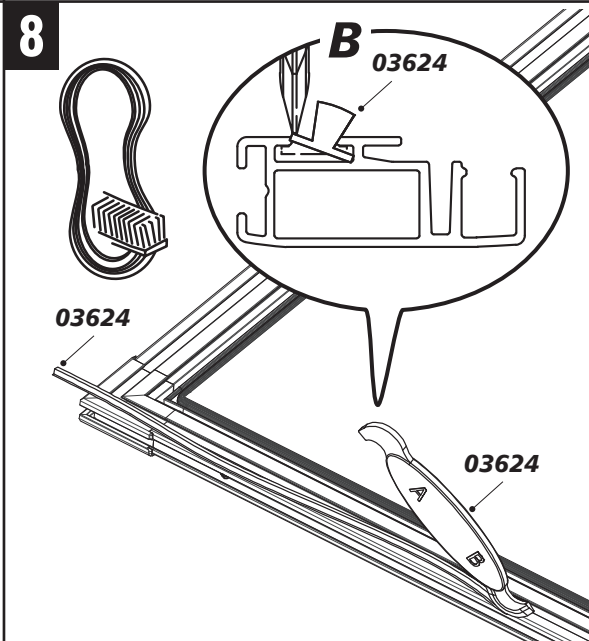
7



8 x

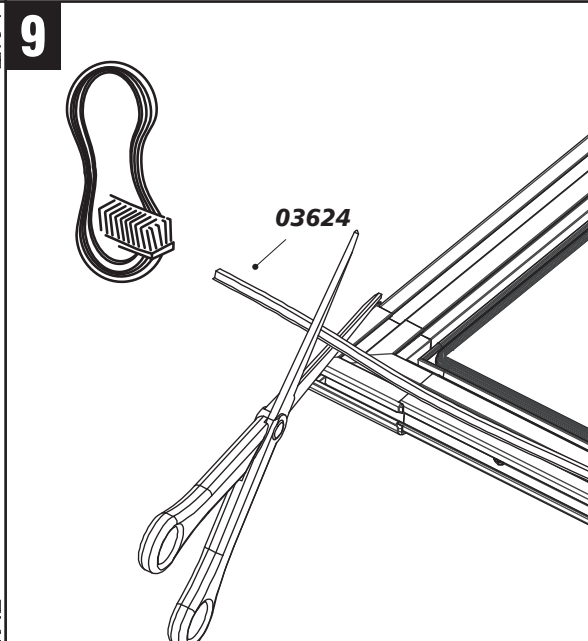
15003

8



03624

9



03624

10

